



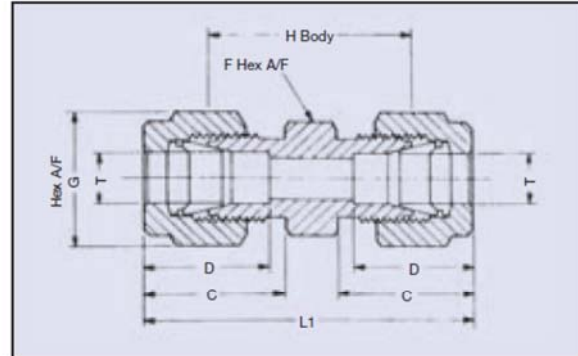
ASTON FITTINGS & FLANGES MANUFACTURING LTD.



Cert. No. LRQ 0961092

Tel: ++44 (0)121-778 6001
 Fax: ++44 (0)121-778 6002
 sales@astonfittings.com

Equal Unions



METRIC RANGE (Dimensions in mm)

Part No.	T o/d	L1 Length	C	D	F A/F	G Nut	H Body
4mU	4	36.4	15.7	13.5	12	12	23.7
6mU	6	39.6	17.3	15.3	14	14	26.2
8mU	8	42.7	18.3	16.2	14	17	28.0
10mU	10	44.2	19.0	16.6	17	19	30.3
12mU	12	51.4	22.1	22.9	22	22	31.0
16mU	16	53.1	22.6	24.9	24	27	31.8
18mU	18	55.0	22.8	25.0	27	30	33.3
20mU	20	55.0	22.8	25.0	32	32	33.3
25mU	25	65.8	27.0	31.7	36	41	40.4

IMPERIAL RANGE (Dimensions in inches)

Part No.	T o/d	L1 Length	C	D	F A/F	G Nut	H Body
1U	1/16	1.14	.43	.33	5/16	5/16	.68
2U	1/8	1.40	.60	.50	7/16	7/16	.88
3U	3/16	1.45	.62	.54	7/16	1/2	.95
4U	1/4	1.58	.68	.60	1/2	9/16	1.03
5U	5/16	1.69	.73	.64	9/16	5/8	1.11
6U	3/8	1.74	.75	.66	5/8	11/16	1.19
8U	1/2	2.03	.86	.90	13/16	7/8	1.22
10U	5/8	2.09	.89	.98	15/16	1	1.25
12U	3/4	2.19	.91	1.00	1-1/16	1-1/8	1.31
16U	1	2.59	1.06	1.25	1-3/8	1-1/2	1.59

- Stainless Steel 316
- Silver Plated Nuts

WE RESERVE THE RIGHT TO CHANGE TOLERANCES AND DIMENSIONS WITHOUT PRIOR NOTICE
 PLEASE CONTACT US IF TOLERANCES AND DIMENSIONS ARE CRITICAL

Units 1-3 Eagle Works 2 Springcroft Road Tyseley Birmingham B11 3EL England

Visit our web page at: <http://www.astonfittings.com>

VALVES -FITTINGS -FLANGES

TUBE -INSTRUMENTATION PACKAGES -SUB CONTRACT MACHINING

Registered in England No 2913370