



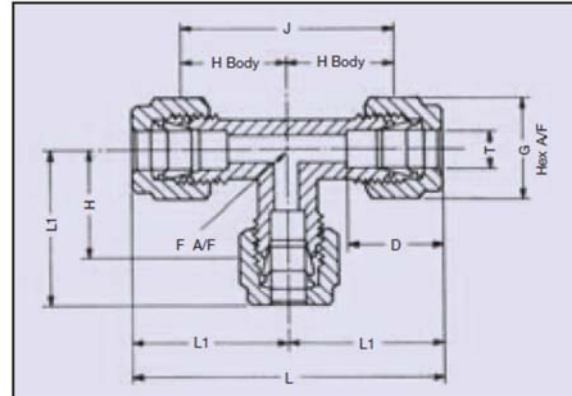
ASTON FITTINGS & FLANGES MANUFACTURING LTD.



Cert. No. LRQ 0961092

Tel: ++44 (0)121-778 6001
 Fax: ++44 (0)121-778 6002
 sales@astonfittings.com

UNION TEES



METRIC RANGE (Dimensions in mm)

Part No.	T o/d	L1 Length	D	F Body	G Nut	H Body	J	L
4mTTT	4	25.4	13.5	12	12	19.0	38.0	50.8
6mTTT	6	27.0	15.3	12	14	19.8	39.6	54.0
8mTTT	8	29.6	16.2	14	17	22.2	44.4	59.1
10mTTT	10	30.1	16.6	14	19	23.1	46.2	60.2
12mTTT	12	35.2	22.9	19	22	24.9	49.8	70.2
16mTTT	16	36.8	24.9	24	27	26.2	52.3	73.7
18mTTT	18	40.2	25.0	27	30	29.3	58.7	80.4
25mTTT	25	46.0	30.9	32	41	33.5	66.6	92.0

IMPERIAL RANGE (Dimensions in inches)

Part No.	T o/d	L1 Length	D	F Body	G Nut	H Body	J	L
2TTT	1/8	.97	.50	.47	7/16	.72	1.44	1.94
4TTT	1/4	1.06	.60	.47	9/16	.78	1.56	2.12
5TTT	5/16	1.17	.64	.55	5/8	.88	1.76	2.34
6TTT	3/8	1.19	.66	.55	11/16	.91	1.82	2.40
8TTT	1/2	1.38	.90	.75	7/8	.98	1.96	2.76
10TTT	5/8	1.48	.98	.94	1	1.06	1.12	2.96
12TTT	3/4	1.60	1.00	1.06	1-1/8	1.15	2.30	3.20
16TTT	1	1.81	1.25	1.25	1-1/2	1.31	2.62	3.62

- Stainless Steel 316
- Silver Plated Nuts

WE RESERVE THE RIGHT TO CHANGE TOLERANCES AND DIMENSIONS WITHOUT PRIOR NOTICE
 PLEASE CONTACT US IF TOLERANCES AND DIMENSIONS ARE CRITICAL

Units 1-3 Eagle Works 2 Springcroft Road Tyseley Birmingham B11 3EL England

Visit our web page at: <http://www.astonfittings.com>

VALVES - FITTINGS - FLANGES

TUBE - INSTRUMENTATION PACKAGES - SUB CONTRACT MACHINING

Registered in England No 2913370