



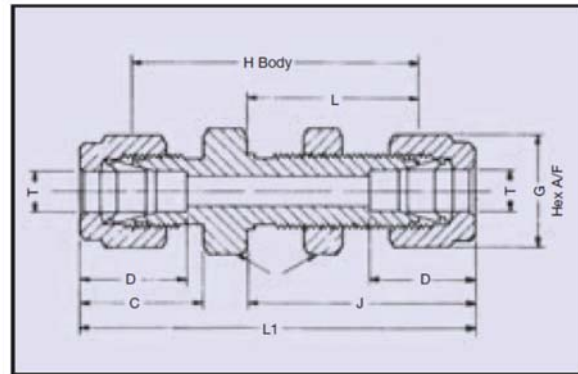
# ASTON FITTINGS & FLANGES MANUFACTURING LTD.



Cert. No. LRQ 0961092

Tel: ++44 (0)121-778 6001  
 Fax: ++44 (0)121-778 6002  
 sales@astonfittings.com

## Bulkhead Unions



METRIC RANGE (Dimensions in mm)

Part No.	T1 o/d	L1 Length	C	D	F Body	G Nut	H Body	J	L
4mBHU	4	53.1	15.7	13.5	14	12	40.4	31.8	25.4
6mBHU	6	57.1	17.3	15.3	17	14	42.7	33.4	26.2
8mBHU	8	61.6	18.3	16.2	17	17	45.9	35.8	28.5
10mBHU	10	61.8	19.0	16.6	19	19	47.8	36.5	29.4
12mBHU	12	71.2	22.1	22.9	24	22	50.8	41.9	31.8
16mBHU	16	73.7	22.6	24.9	27	27	52.3	43.1	32.5
18mBHU	18	80.6	22.8	25.0	30	32	58.0	48.2	37.3

IMPERIAL RANGE (Dimensions in inches)

Part No.	T1 o/d	L1 Length	C	D	F Body	G Nut	H Body	J	L
2BHU	1/8	2.02	.60	.50	1/2	7/16	1.51	1.22	.97
4BHU	1/4	2.25	.68	.60	5/8	9/16	1.68	1.31	1.03
5BHU	5/16	2.39	.73	.64	11/16	5/8	1.81	1.41	1.12
6BHU	3/8	2.43	.75	.66	3/4	11/16	1.88	1.44	1.16
8BHU	1/2	2.81	.86	.90	15/16	7/8	2.00	1.66	1.25
10BHU	5/8	2.91	.89	.98	1	1	2.07	1.70	1.28
12BHU	3/4	3.20	.91	1.00	1-3/16	1-1/8	2.32	1.91	1.47

- Stainless Steel 316
- Silver Plated Nuts

WE RESERVE THE RIGHT TO CHANGE TOLERANCES AND DIMENSIONS WITHOUT PRIOR NOTICE  
 PLEASE CONTACT US IF TOLERANCES AND DIMENSIONS ARE CRITICAL

Units 1-3 Eagle Works 2 Springcroft Road Tyseley Birmingham B11 3EL England

Visit our web page at: <http://www.astonfittings.com>

VALVES - FITTINGS - FLANGES

TUBE - INSTRUMENTATION PACKAGES - SUB CONTRACT MACHINING

Registered in England No 2913370